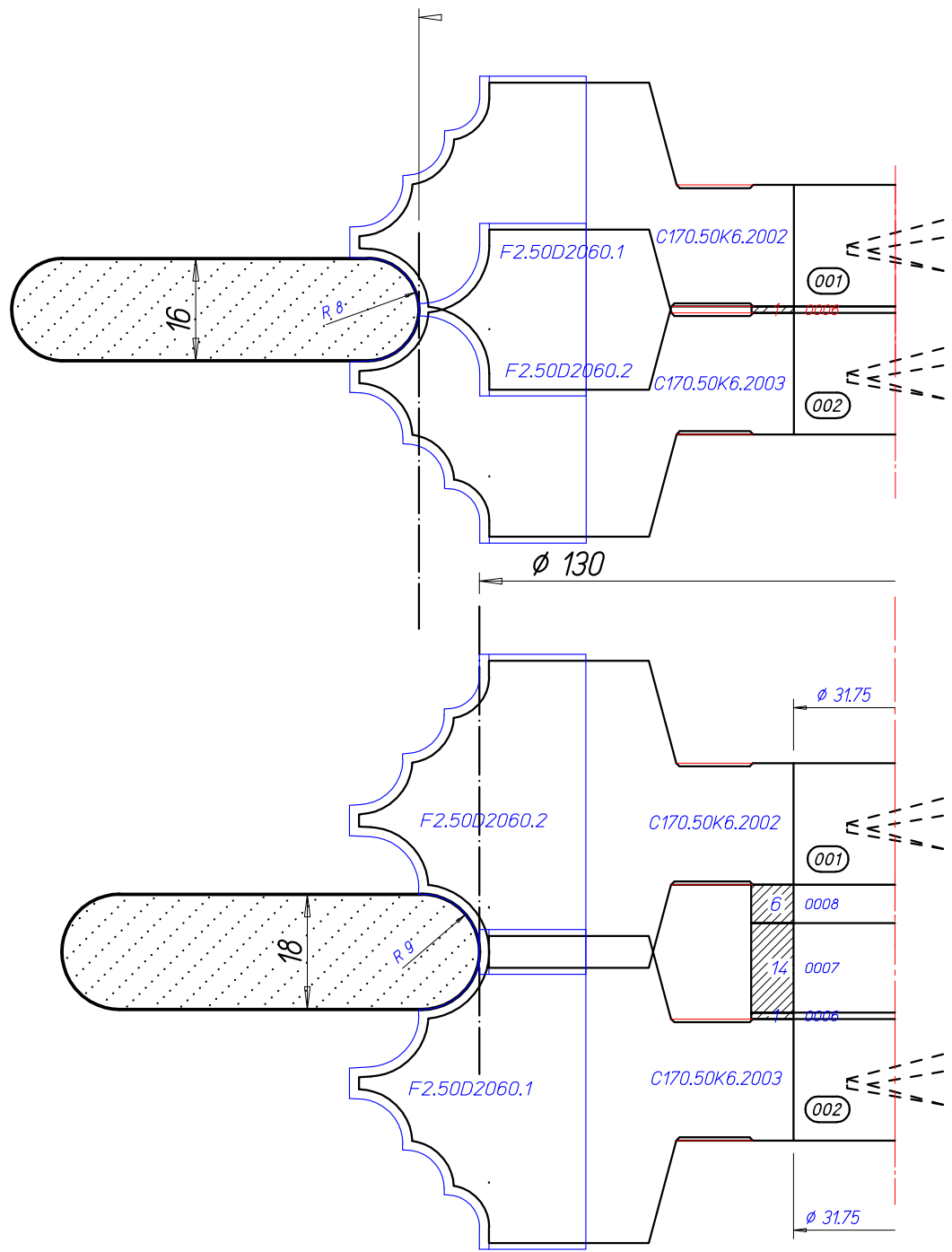




Client reference		Revision	Signature
Description RCR17060 Full Radius "Bullnose" Cutter		Check 31-05-2017	Signature
Order		Date 31-05-2017	Signature
Drawing Number	Sheet 1	Scale 1:1	



n max 8500 min 4400

 	Client reference		Revision	Signature
	Description RCR17060 Full Radius "Bullnose" Cutter		Check	Signature
			Date	Signature
	Order	Drawing Number	Sheet 2	Scale 1:1